

REVISIONS			
REV.	DESCRIPTION	ECN NO.	DATE
01	FIRST RELEASE	N/A	03/26/15

Page 3 is for internal use only

TITLE
Air Coil Transmitter Module Tx


WARNING !
 ALL SHEETS OF THIS DOCUMENT ARE CONTROLLED DOCUMENTATION AND ARE NOT TO BE RELEASED OUTSIDE OF E&E OR ITS SUB-CONTRACTORS WITHOUT AUTHORIZATION.

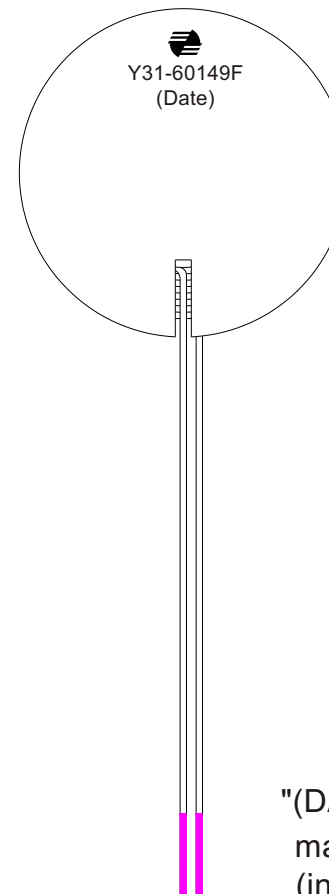
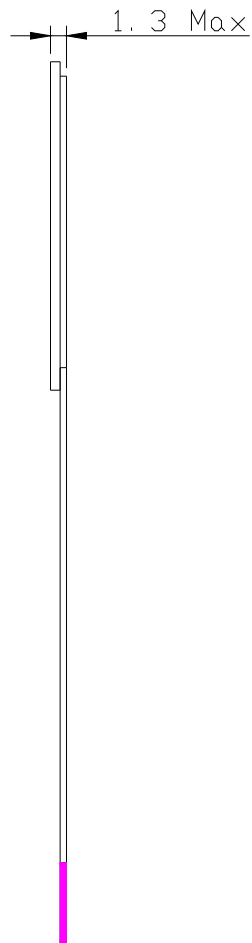
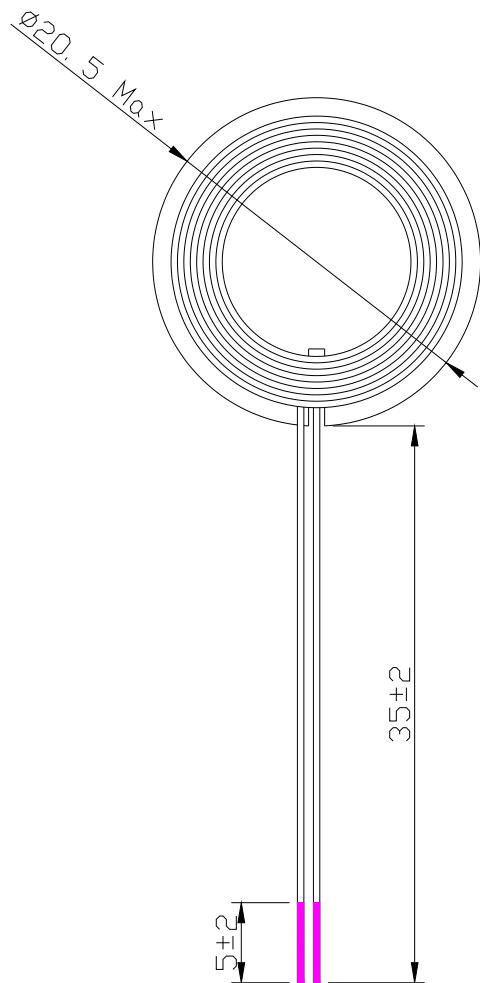
UNLESS OTHERWISE SPECIFIED, DIMENSIONS ARE IN INCH/mm.

TOLERANCE ARE:

<u>INCH</u>	<u>mm</u>	<u>ANGLE</u>
.XXX ± .005	.XX ± .13	X.X ± 0.3
.XX ± .02	.X ± .5	X. ± 1.

APPROVALS	DATE
DRAWN BY J.Zheng	03/26/15
PROJ. ENG XY.YIN	03/26/15
APPROVED BY A.Yang	03/26/15
Q.A. S.Chung	03/26/15

 E & E Magnetic Products Ltd.	
DRAWING NO./MODEL	REV
Y31-60149F	Pre-01
SCALE	PAGE OF
DO NOT SCALE	1 OF 3



"(DATE)" includes at least the manufacturing date code (in YYWW format).

UNLESS OTHERWISE SPECIFIED, TOLERANCE ARE: $\pm 0.3\text{mm}$

ELECTRICAL SPECIFICATION @25°C

PARAMETERS	UNIT	LIMIT
Inductance @ 100KHz, 1.0Vrms	uH	2.4 ± 15%
DCR	mΩ	160 Max



E & E Magnetic Products Ltd.

DRAWING NO./MODEL

Y31-60149F

REV

Pre-01

SCALE

DO NOT SCALE

PAGE

2

OF

3