

ADP Series, Single Port Power over Ethernet Injector

56V 33.6W/60W



ADP 56V

Highlights & Features

- Compliant with IEEE802.3af and IEEE802.3at Standard
- Support 10/100/1000Base-T
- Compliant with Limited Power Source (LPS)
- High Efficiency > 85%
- Low No Load Power Consumption < 0.5W
- Provide 2 LED indicators include Power LED(Green) and PoE LED(Green)
- Over-Voltage/Load/Temperature & Short Circuit protections
- IT safety approvals
- 200k Hours MTBF @ 25°C

Model Information

ADP Series, Single Port Power over Ethernet Injector

Model Number	Input Voltage Range	Output Voltage	Output Current
ADP-36PR B	90 ~ 264Vac	56Vdc	0.6A
ADP-60HR B	90 ~ 264Vac	56Vdc	1.1A

Specifications

Input Ratings / Characteristics

	33.6W	60W
Nominal Input Voltage	100 ~ 240Vac	100 ~ 240Vac
Input Voltage Range	90 ~ 264Vac	90 ~ 264Vac
Nominal Input Frequency	50 ~ 60Hz	50 ~ 60Hz
Input Frequency Range	47 ~ 63Hz	47 ~ 63Hz
Input Current	1.0A Maximum	2.0A Maximum
Full Load Efficiency @ 115Vac/60Hz	>85.0%	>86.0%
Full Load Efficiency @ 230Vac/50Hz	>85.0%	>86.0%
No Load Power Consumption @ 115Vac/60Hz	<0.3W	<0.5W
No Load Power Consumption @ 230Vac/50Hz	<0.3W	<0.5W

Output Ratings / Characteristics

	33.6W	60W
Rated Voltage	56V	56V
Voltage Range(All Models)	54 ~ 57V	54 ~ 57V
Current	0 ~ 0.6A	0 ~ 1.1A

ADP Series, Single Port Power over Ethernet Injector

56V 33.6W/60W

Environment and EMC

	33.6W	60W
Operating Temperature	-10°C ~ +45°C	-10°C ~ +40°C
Shipping/Storage Temperature	-25°C ~ +65°C	-25°C ~ +65°C
Operating Humidity	5% ~ 90%	5% ~ 90%
Shipping/Storage Humidity	5% ~ 90% (Non-Condensing)	5 ~ 90% (Non-Condensing)
Operating Altitude	-500 ~ 10000 feet	-500 ~ 10000 feet
Electrostatic Discharge (ESD) Per IEC-61000-4-2	Contact discharge : ±6KV Air discharge : ±8KV Criterion B	Contact discharge : ±6KV Air discharge : ±8KV Criterion B
Radiated Immunity (RS) Per IEC-61000-4-3	3V/m, 80%AM, 1 kHz, 80MHz-1GHz; Criterion A	3V/m, 80%AM, 1 kHz, 80MHz-1GHz; Criterion A
Electric Fast Transients (EFT) Per IEC-1000-4-4	+/-1kV on input power lines; Criterion B	+/-1kV on input power lines; Criterion B
Lightning Surge Immunity Per IEC-1000-4-5	1.2/50 µs / 8/20 µs combination wave +/-1kV from line to line +/-2kV line to earth Generator impedance : 2ohm; Criterion B	1.2/50 µs / 8/20 µs combination wave +/-1kV from line to line +/-2kV line to earth Generator impedance : 2ohm; Criterion B
Conducted Immunity (CS) Per IEC-1000-4-6	3V, 80%AM, 1kHz, 150 kHz-80MHz; Criterion A	3V, 80%AM, 1kHz, 150 kHz-80MHz; Criterion A
Dielectric Withstand Voltage (HI-POT)	3KV AC RMS from AC Input to Output	3KV AC RMS from AC Input to Output
Leakage Current	<250uA at 264 Vac	<250uA at 264 Vac
Insulation Resistance	DC 500V 10M ohm minimum	DC 500V 10M ohm minimum
Electromagnetic Interference (EMI)	CISPR 32/EN55032 Class B FCC Part 15 Class B	CISPR 32/EN55032 Class B FCC Part 15 Class B
MTBF	200k hours of continuous operation at 25°C	200k hours of continuous operation at 25°C
Safety	UL, CE, CCC, EN 60950	UL, CE, CCC, EN 60950

Protections

	33.6W	60W
Overvoltage	Auto-Recovery	Auto-Recovery
Overload / Overcurrent	Auto-Recovery	Auto-Recovery
Over Temperature	Auto-Recovery	Auto-Recovery
Short Circuit	Auto-Recovery	Auto-Recovery

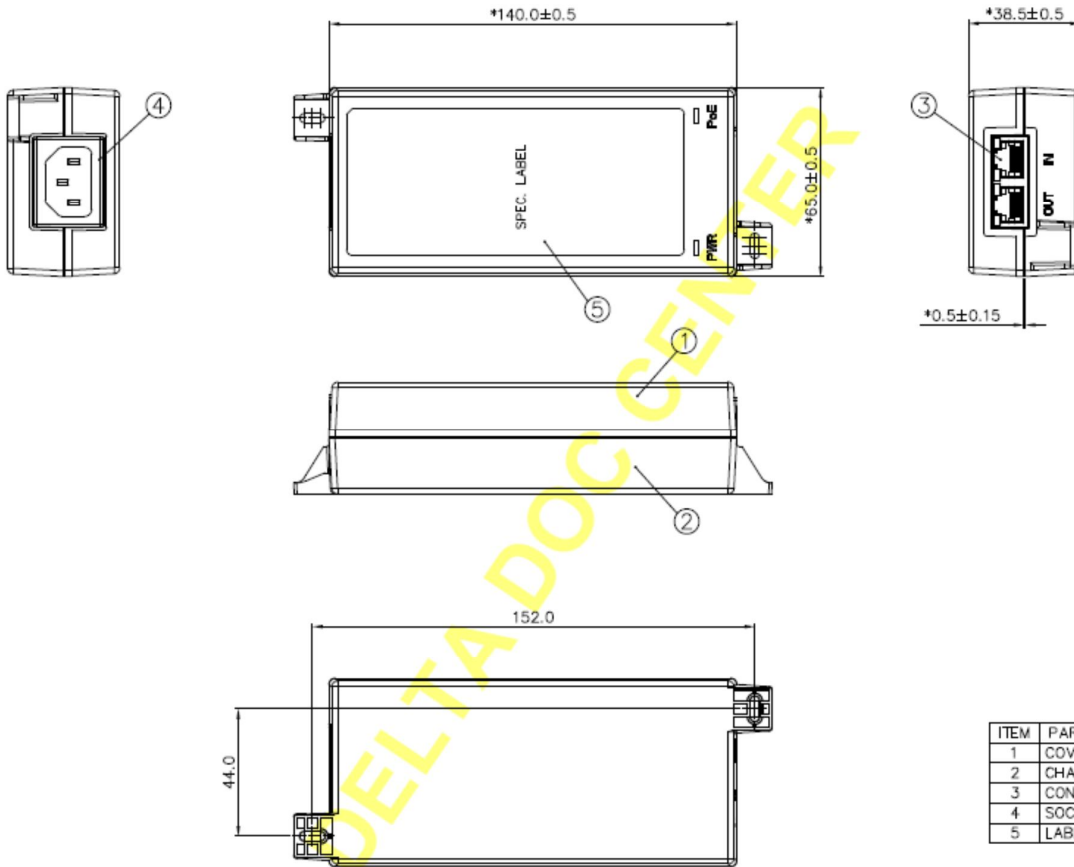
Mechanical

	33.6W	60W
Color	Black	Black
Outline Dimensions (L x W x D)	140 * 65 * 38.5 mm	140 * 65 * 38.5 mm
AC Inlet Type	Socket C14 Type	Socket C14 Type
Input Data Connector	10/100/1000Base-T RJ45	10/100/1000Base-T RJ45
Output Power + Data Connector	10/100/1000Base-T RJ45	10/100/1000Base-T RJ45
Output Connector Pin Assignment and Polarity	Pin 1,2 (+), Pin 3,6 (-)	Pin 1,2 / 4,5 (+), Pin 3,6 / 7,8 (-)

ADP Series, Single Port Power over Ethernet Injector

56V 33.6W/60W

Mechanical



ITEM	PART NAME	COLOR
1	COVER	BLACK
2	CHASSIS	BLACK
3	CONNECTOR(RJ45)	NATURAL
4	SOCKET	BLACK
5	LABEL	BLACK