

**Features**

- Universal input 90-264Vac
- Ultra compact low profile AC-DC converter
- No Y-capacitor / low leakage current
- Built-in fusible resistor
- No load power consumption 0.05W
- OVP, short circuit protection
- 3.75KVAC / 60sec. isolation

**Application:**

1. Industry control application
2. Stand by power application

**Selection Guide**

Part number	Input voltage	Output voltage	Output current @full load	Efficiency* typ.	Capacitive Load* max.
L4A03-3.3	90-264VAC	3.3 VDC	900 mA	70%	15000uF
L4A03-05		5 VDC	600 mA	74%	7500uF
L4A03-06		6 VDC	300 mA	75%	6000uF
L4A03-12		12 VDC	250 mA	78%	3000uF
L4A03-15		15 VDC	200 mA	79%	1000uF
L4A03-24		24 VDC	125 mA	81%	200uF

\* The efficiency measured at full load at 115VAC/230VAC after warm-up.

\* The capacitive load measured at full load at 115VAC, Ta=25°C with constant resistant mode.

\* The product information and specifications are subject to change without prior notice.

\* All specifications valid at nominal input voltage 115 and 230VAC, full load and 25°C after warm-up time unless otherwise stated.

**L 4 A 0 3 - 0 5**

Output voltage

**Specifications**

Parameter	Conditions	Min.	Typ.	Max.	Unit
<b>Input</b>					
Input voltage range		90		264	VAC
Input frequency		47		63	Hz
No load power consumption				0.05	W
Inrush current	115VAC			15	A
(cold start@25°C)	230VAC			30	A
Start-up time				1	s
Leakage current	264V/63Hz			0.01	mA
External fuse (or internal)				Internal wire wound resistor	

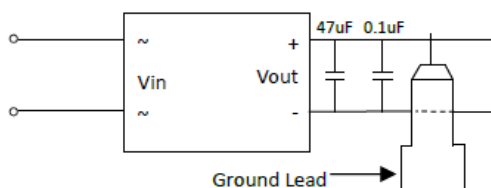
Parameter	Conditions	Min.	Typ.	Max.	Unit
<b>Output</b>					
Output voltage tolerance*				±6	%
Ripple & noise*	Vo=3.3V / 5V / 24V			200	mVp-p
	Vo=6V / 12V / 15V			120	mVp-p
Hold up time	115VAC	15			ms
	230VAC	80			ms
Minimum load		2			%
Line regulation				±1.5	%
Load regulation	10%-100% load			±2	%
Operating frequency			60		KHz
<b>Environment</b>					
Operating temperature	With derating	-25		85	°C
Storage temperature		-25		85	°C
Relative humidity				95	%RH
Vibration				MIL-STD-202G	
<b>Function</b>					
Isolation voltage	1 minute, Pri to Sec	3750			VAC
	Cut-off current: 5mA				
Isolation resistance	DC 500V	1			GΩ
MTBF	25°C, 115VAC, 5V output			3318	KHours
Short circuit protection				Continuous, Automatic recovery	
Over voltage protection				Zener diode clamp	
Over load protection				Automatic recovery	
Safety				Meet 60950; 60335-1	
<b>Physical</b>					
Dimension	(L x W x H)			35.70x25.00x19.00 mm	
Case material				UL94V-0 black plastic	
Potting material				Silicone	
Weight				27.5	g
<b>EMC</b>					
EMI	EN55032			Class B	
ESD	IEC 61000-4-2			Criteria A	
EFT	IEC 61000-4-4			Criteria A	
Surge	IEC 61000-4-5			Criteria A	

\*The "output voltage tolerance" includes initial voltage accuracy, thermal drift, line regulation and load regulation at rated input voltage and load conditions.

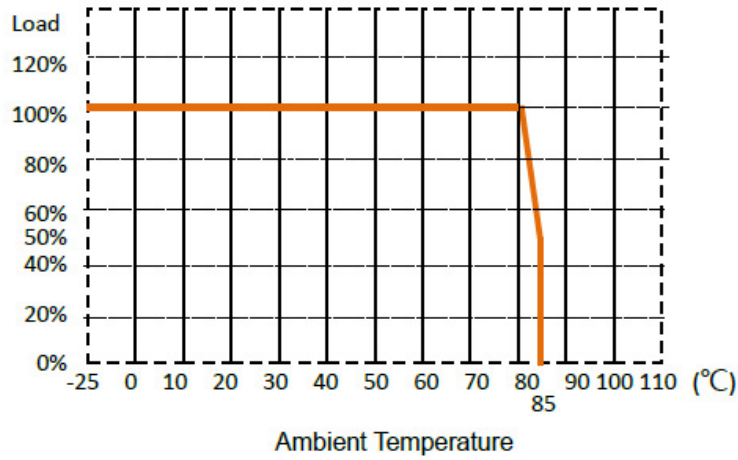
\*\*"Ripple and Noise" is the maximum peak-to-peak voltage value measured at the output with a 20 MHz bandwidth, at rated line voltage at full load; And with a 47uF low-ESR electrolytic capacitor in parallel with a 0.1uF ceramic capacitor across the output.

\*The product information and specifications are subject to change without prior notice.

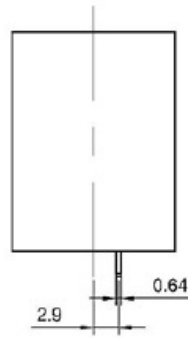
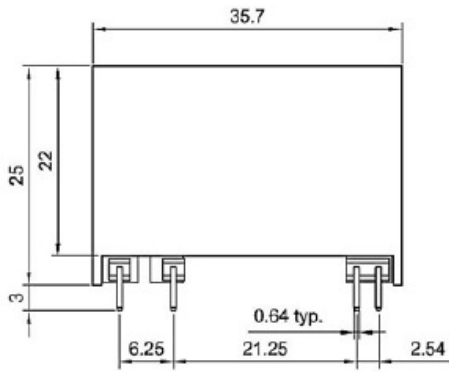
## ■ Ripple & Noise measure method



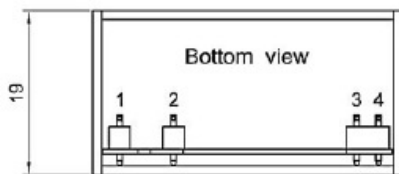
**Derating Curve**



**Mechanical Dimension & Pinning**

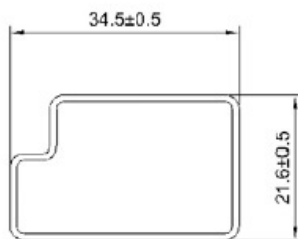


Pin	function
1	Vin(L)
2	Vin(N)
3	+Vout
4	-Vout



Unit : mm  
Tolerance : ±0.5mm

**Package**



UNIT:mm  
1 Tube = 13 pcs  
Length:520±2mm